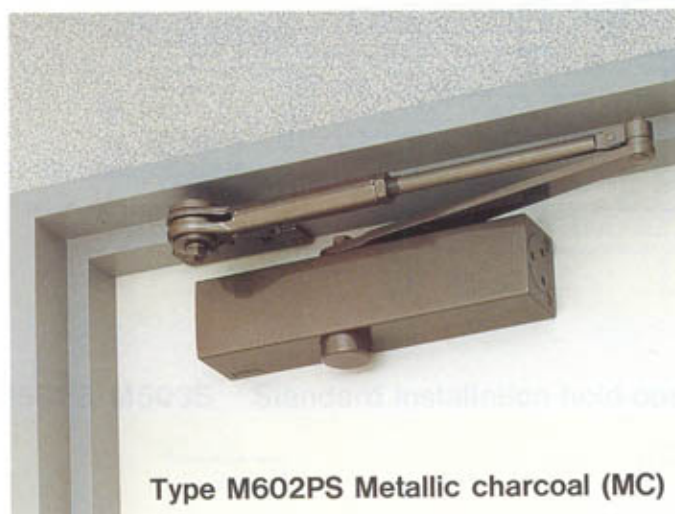




Type M602 Silver (SV)



Type M602S Ivory White (SI)



Type M602PS Metallic charcoal (MC)



Type M602P Black (BK)

■ Sizes 1 through 6 all use the same attachment dimensions

The works on the door are the same even with different sizes.

■ Two door speeds; easy adjustment of latching action angle

Door speed can be adjusted to two different settings; easy adjustment of the latching action with a screwdriver (patent pending).

■ Sleek angular body and arm

An angular body and slim, universal arm are used. The arm length can be adjusted.

■ Constant latching speed in any season

Since an adjustment valve compensates for temperature variation, closing speed is unaffected by temperature.

■ Easy adjustment of stop angle and detailed settings

The stop angle can be moved in 5° -6° interval for precision adjustment.

■ Six colors to coordinate with your door

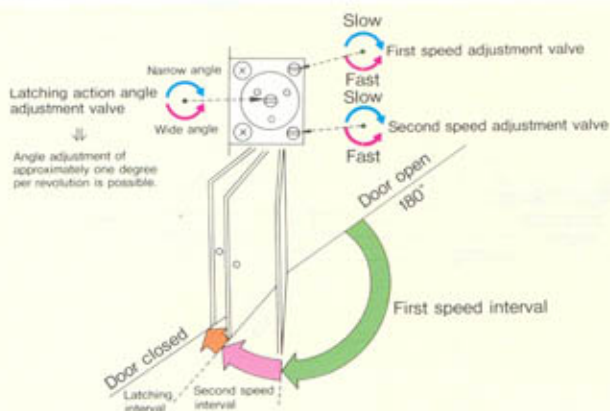
The M600 Series comes in six different colors. Choose the best color to coordinate with your walls and door (see page 245).

■ More options available for improved performance

Back checking: A back checker can be added for use in windy locations. When a back checker is used, a brake is activated to prevent the door from being blown open (adjustable).

Delayed action: a delayed action mechanism can be used to make the door close very slowly up to a set angle after it is opened past that angle (adjustable).

M600



Note: The latching action refers to the mechanism that speeds up to the door immediately before closing to ensure that the door shuts securely.

Functions

Type				Applicable doors	
Standard installation		Parallel installation		Width × height(mm)	Weight(kg)
Non-hold open	Hold-open	Non-hold open	Hold-open		
M601 M601FB	M601S	M601P(A·L·K·AK)	M601PS(A·L·K·AK)	800×1,800	15~30
M602 M602FB	M602S	M602P(A·L·K·AK)	M602PS(A·L·K·AK)	900×2,100	25~45
M603 M603FB	M603S	M603P(A·L·K·AK)	M603PS(A·L·K·AK)	950×2,100	40~65
M604	M604S	M604P	M604PS	1,050×2,400	60~85
M605	M605S	M605P	M605PS	1,200×2,400	80~120
M606	M606S	M606P	M606PS	1,500×2,700	120~180


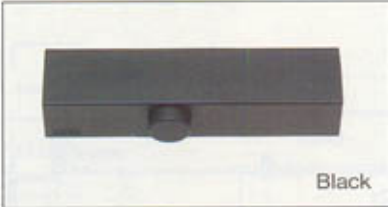




Note: All models work on both the left and right hand.

The width of the door is the most important factor in selecting size.

Standard installation models and parallel attachment models use different door closer bodies.

Color option

The M600 Series comes in six colors. Select a color which goes with your walls and door.

Color	Symbol	Color	Symbol
 Silver	SV	 Black	BK
 Ivory White	SI	 White	WH
 Metallic Charcoal	MC	 Gold	GD

M600

Ordering

When placing your order, please specify the above models using the following symbols.

M602

P

S

A

F

SI

Parallel installation

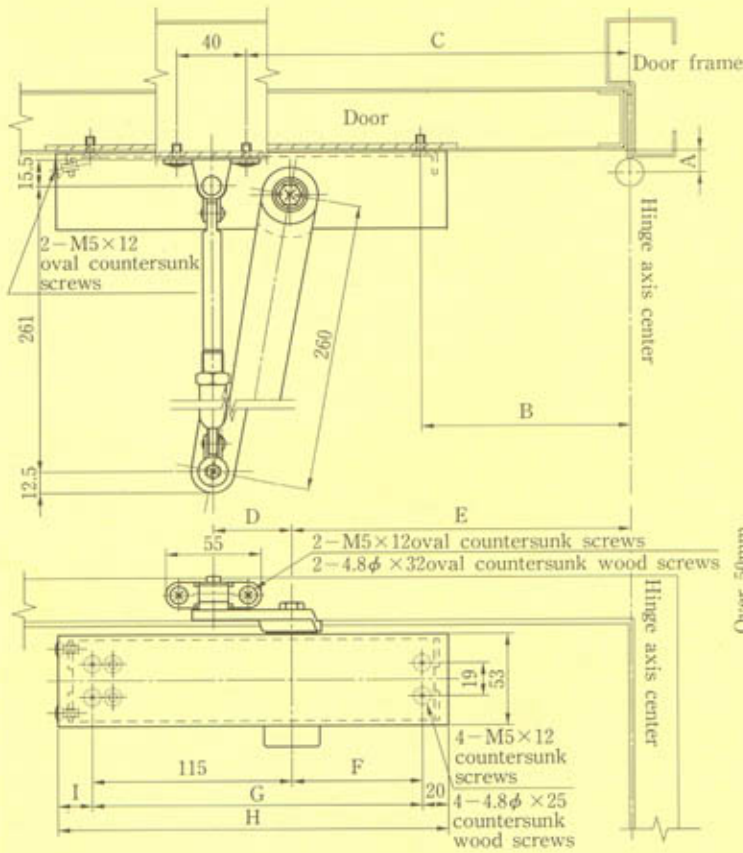
Hold-open

Bracket type

With fuse

Color

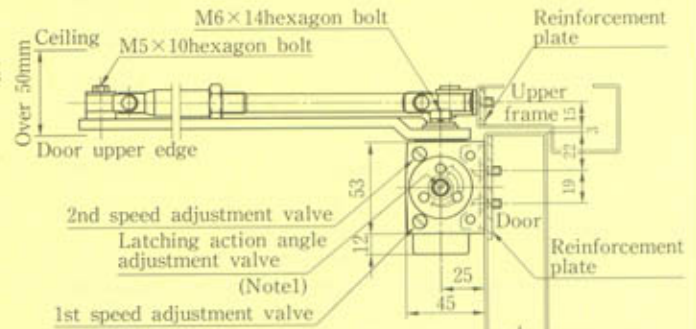
M601·M602·M603 Standard installation non-hold open



Non-hold open	B	C	D	E	F	G	H	I
M601 M602	120	220	45	195	75	190	225	15
M603	120	220	45	195	75	190	245	35

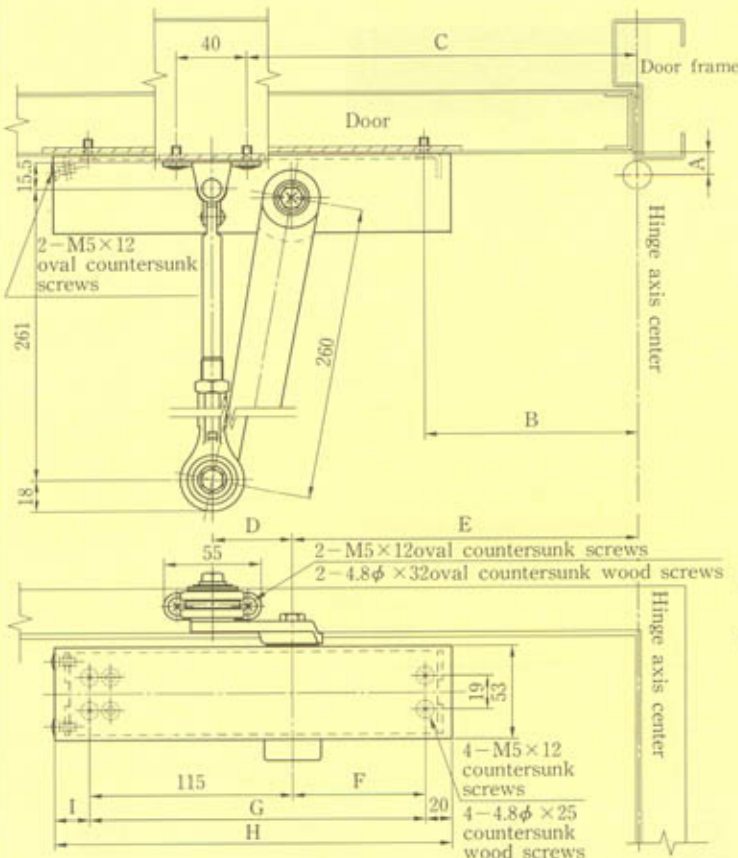
When door opening angle is restricted to 120 degrees

A	B	C	E
13	200	300	275
16	201	301	276
22	202	302	277
25	202	302	277



Note: A latching action angle adjustment valve is not available in size 1.

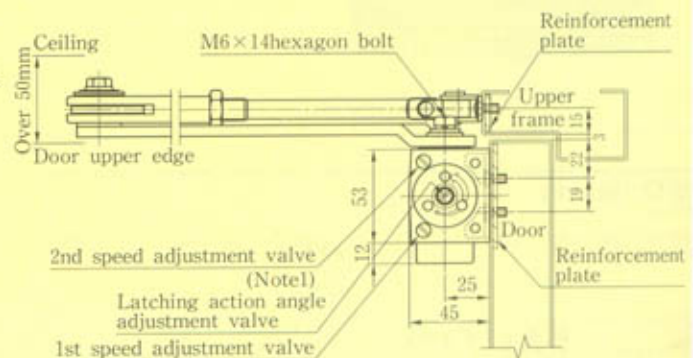
M601S·M602S·M603S Standard installation hold-open



Hold-open	B	C	D	E	F	G	H	I
M601S M602S	120	220	45	195	75	190	225	15
M603S	120	220	45	195	75	190	245	35

When door opening angle is restricted to 120 degrees

A	B	C	E
13	200	300	275
16	201	301	276
22	202	302	277
25	202	302	277



Note: A latching action angle adjustment valve is not available in size 1.