

# DOOR CLOSERS

**NEW★STAR**  
SINCE 1919

## 80 series

Surface Mounting Type

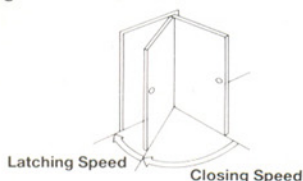


Standard Installation

### Door Closing Speed Adjustment

#### Speed Adjusting Valves

Trouble-free adjusting of speeds by simply turning the speed adjusting valves to the left or right.



#### Adjustment of Closing and Latching Speeds

Closing Speed Adjusting Valve

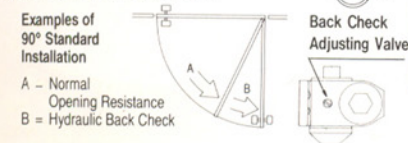


Latching Speed Adjusting Valve

#### Back Check Function

This feature controls the opening swing of a door which has been pushed open with excessive force through heavy winds or rough treatment.

The back check function makes Series 80 an ideal choice for exterior doors opening outwards. Moreover, the back check function can be adjusted to work more powerfully by turning the screw to the right.



### Parallel Arm Installation



#### Colors

- Silver (N-A)
- Brown (N-B)
- Bronze (N-C)
- Ivory White (N-D)

- A horizontal door closer refined by further research into a product of the finest quality.
- Different models to fit different door sizes. Each of these models is available for either standard installation or parallel arm installation. Further, a choice can be made between a closer with or without a hold-open device.
- Simple inversion of the main body (turning upside-down) allows installation on both right hand and left hand doors.

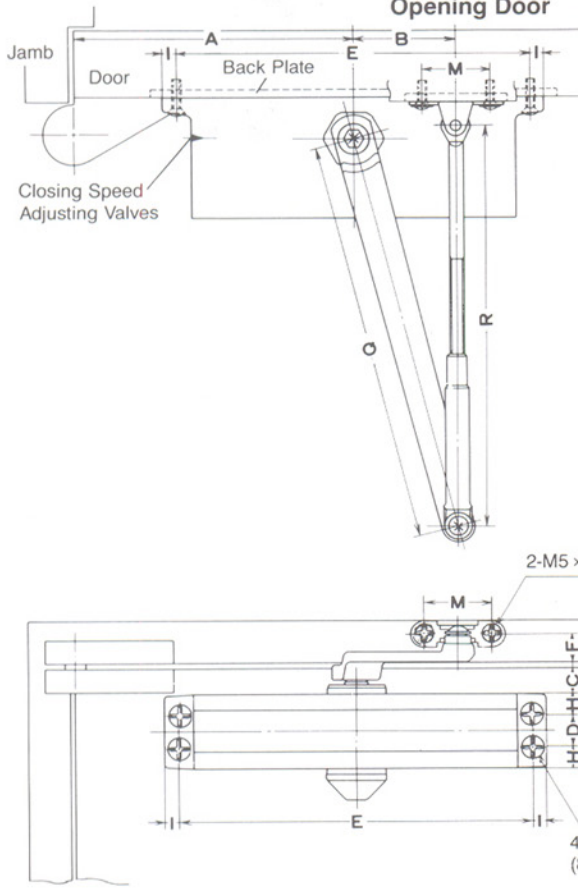
Standard Installation		Parallel Arm Installation		Applicable Door Dimensions DW×DHmm	Maximum Door Weight kg
Without Hold-Open	With Hold-Open	Without Hold-Open	With Hold-Open		
81·81BC	181·181BC	P-81·P-81BC	P-181·P-181BC	800×1800	30
82·82BC	182·182BC	P-82·P-82BC	P-182·P-182BC	900×2100	45
83·83BC	183·183BC	P-83·P-83BC	P-183·P-183BC	950×2100	65
84·84BC	184·184BC	P-84·P-84BC	P-184·P-184BC	1050×2400	85
85·85BC	★ 185·185BC	P-85·P-85BC	P-185·P-185BC	1200×2400	120
86·86BC	★ 186·186BC	P-86·P-86BC	P-186·P-186BC	1800×2700	180

(Note) • In the case of standard installation, the maximum hold-open angle is 120°. (180° for parallel installation.)  
• Those models marked with an asterisk (★) are handed.  
• For installation on fire doors, select a closer with a temperature fuse.

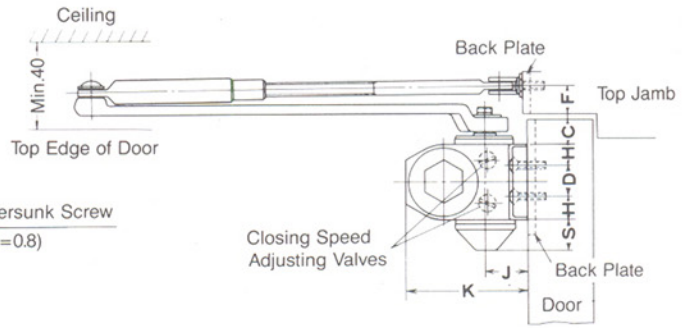


### Standard Installation

### Right Hand Opening Door

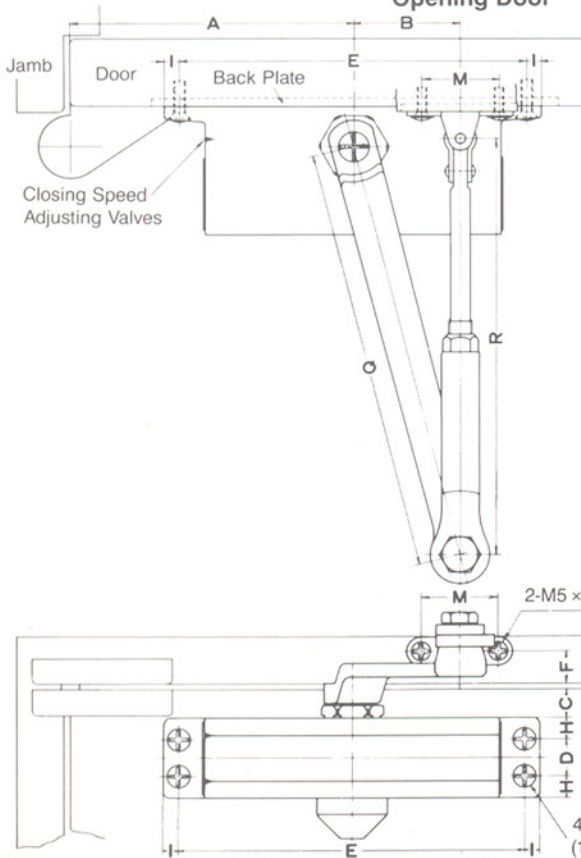


	A	B	C	D	E	F	M	H	I	J	K	Q	R	S
81	130	60	15	19	178	17	40	11.5	8	21	67	220	220	19
82	140	60	15	19	190	17	40	13	8	25	72.5	220	220	19
83	165	60	15	19	208	17	40	13	8	25	72.5	240	240	19
84	180	60	15	19	230	17	40	14.5	10	26	77	260	262	20



### Standard Installation

### Right Hand Opening Door



	A	B	C	D	E	F	M	H	I	J	K	Q	R	S
181	130	60	15	19	178	17	40	11.5	8	21	67	220	220	19
182	140	60	15	19	190	17	40	13	8	25	72.5	220	220	19
183	165	60	15	19	208	17	40	13	8	25	72.5	240	240	19
184	180	60	15	19	230	17	40	14.5	10	26	77	260	262	20

